

my
world

my
bernette

Quick Start Guide bernette 20 / 25

1. General Operating Principles	2
2. Buttons Explanation	2
3. Display Explanation	3
4. Threading the Upper Thread	5
5. Inserting the Bobbin	5
6. Setting a Pattern	6
7. Setting Zigzag Stitch & Additional Function (Twin Needle)	6
8. Setting a Decorative Stitch & Additional Function (Mirror)	7
9. Setting Alphabets	7
10. Memory Modes & Functions	8
10.1 Enter a sequence of stitch patterns in Memory Enter Mode	8
10.2 Review and edit stored stitches	9
10.3 Replace a stored stitch	9
10.4 Insert an additional stitch	10
10.5 To clear the Memory	10



Quick Start Guide bernette 20 / 25

This guide gives you an overview of the most important functions of your bernette by walking you through some sample operations. For details and the full functionality please refer to the Instruction Manual.

1. General Operating Principles

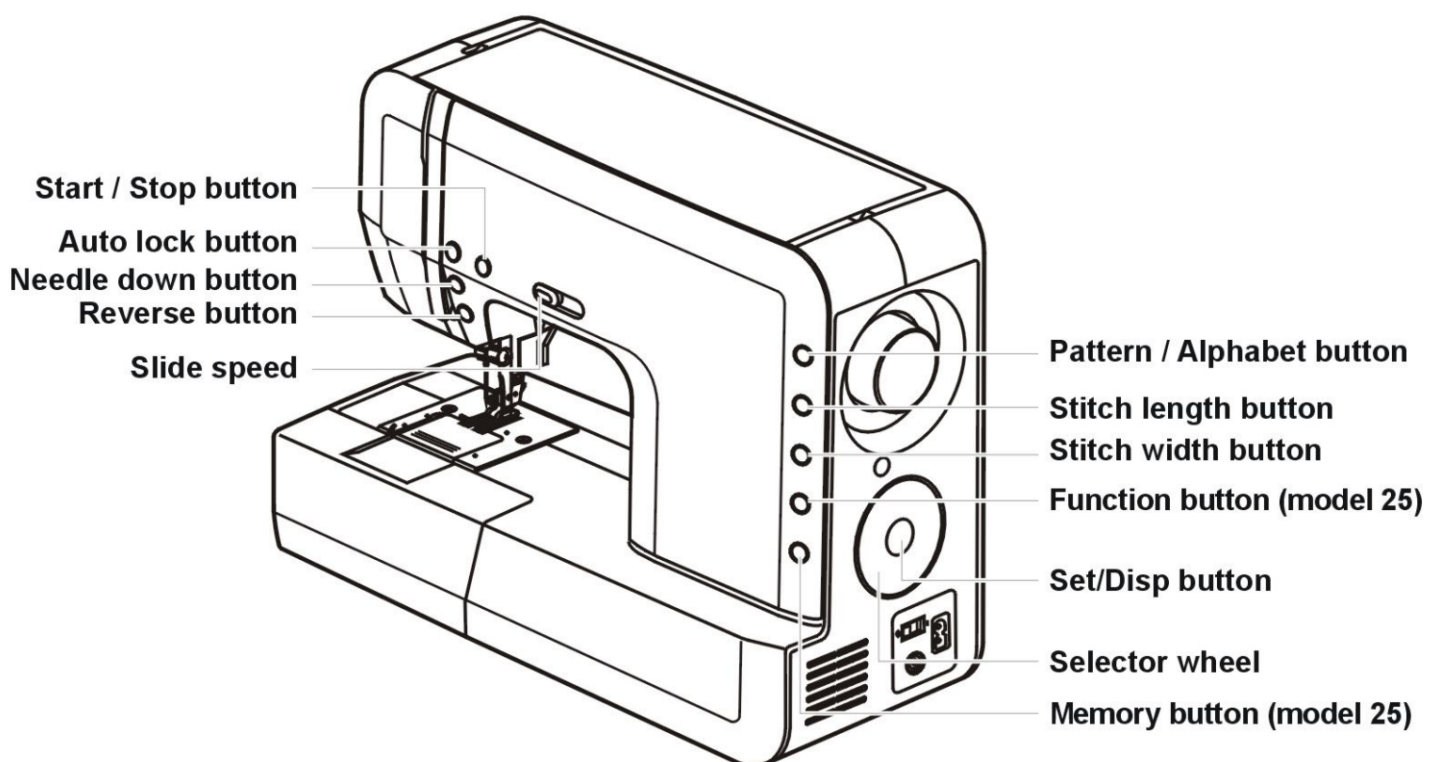
Whatever value or setting is blinking can be adjusted by the Selector Wheel.

- **Select function** by pressing a button once
- **Safe adjustments** by pressing Set or the button near the flashing value. Alternatively in most functions pressing start/stop or the foot controller will save the changes as well
- For **special functions** (Alphabet, switch from Memory Enter Mode to Memory Review/Edit Mode, Delete ALL) there are **special keystroke combinations**
- **Error Beep** = 3 short beeps

Normal mode: Select stitch and sew. There are two Pattern groups available, the Pattern group and Alphabet group (only model 25).

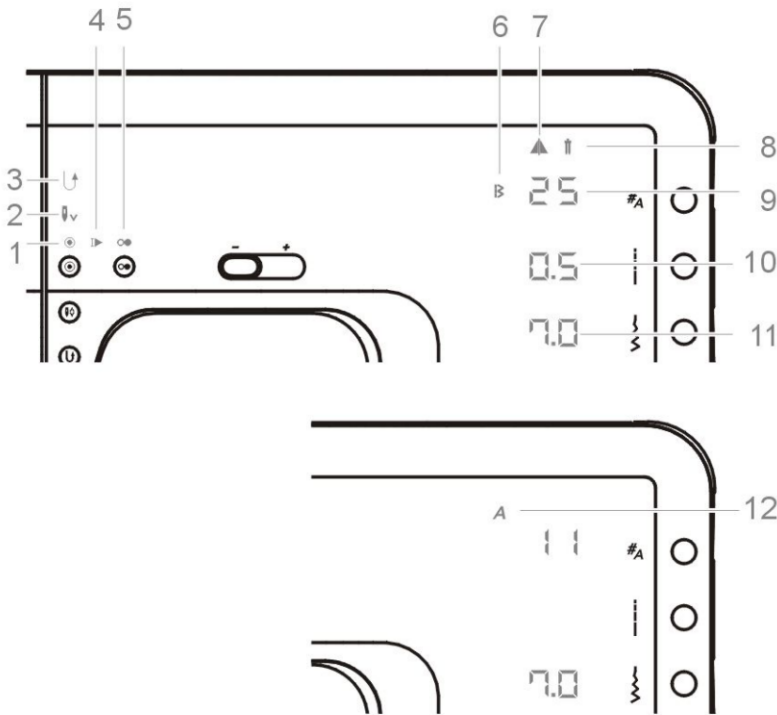
Memory mode: Program a sequence of stitches and sew - mem indicator " mem " on = memory mode active. (For detailed Memory Mode descriptions see from page 65)

2. Buttons Explanation



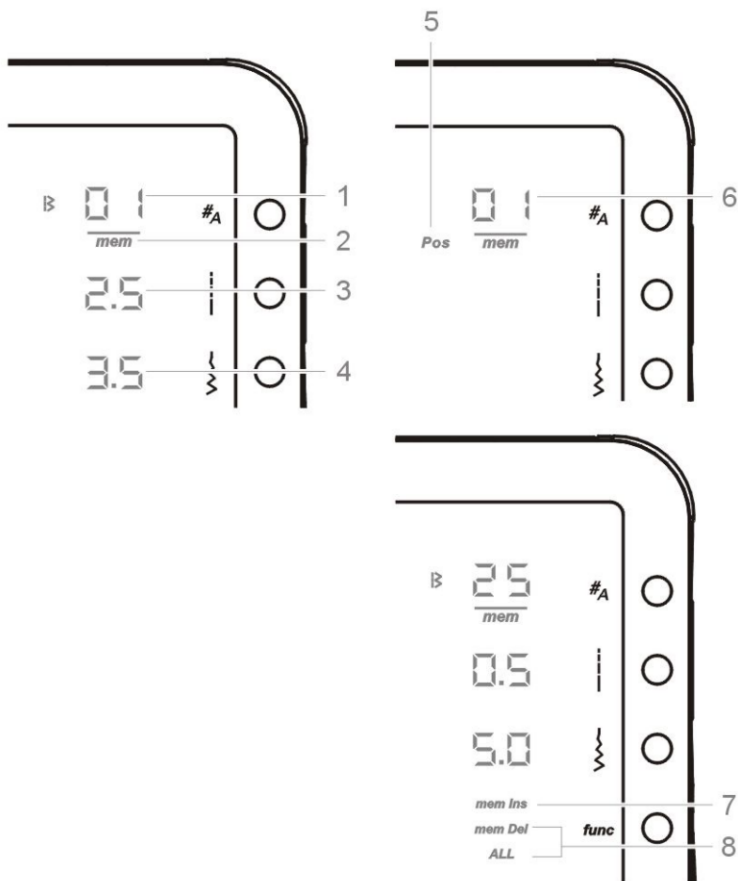
Quick Start Guide bernette 20 / 25

3. Display Explanation



Normal mode display - model 25

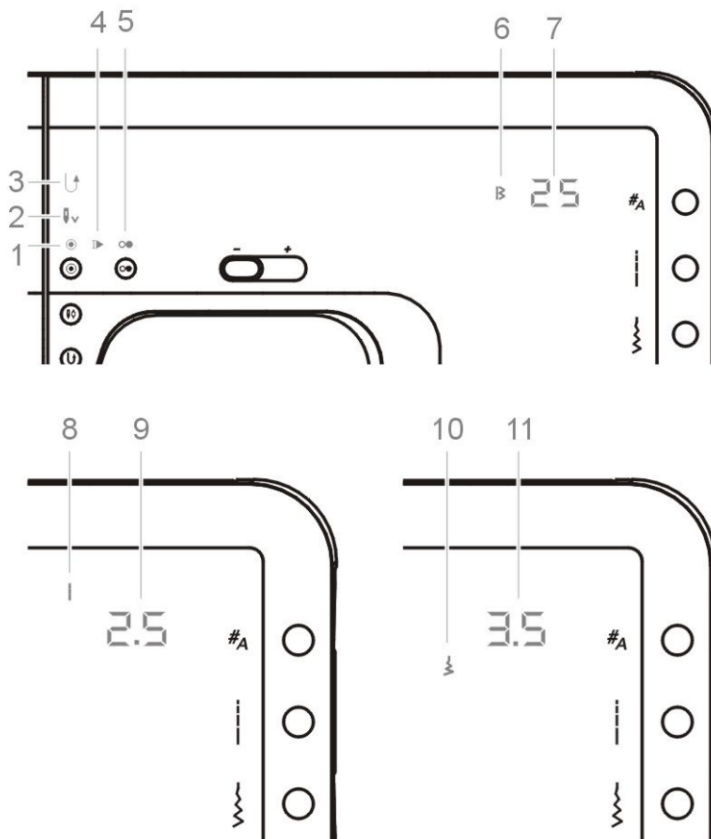
1. Auto-lock
2. Needle stop down
3. Reverse
4. Auto-stop on pattern end
5. Machine running
6. Pattern group
7. Pattern mirrored function
8. Twin needle function
9. Stitch number
10. Stitch length
11. Stitch width
12. Alphabets group



Memory mode display - model 25

1. Stitch number
2. Memory mode active
3. Stitch length
4. Stitch width
5. Memory position display
6. Memory position
7. Memory insert function
8. Memory delete / delete ALL function

Quick Start Guide bernette 20 / 25



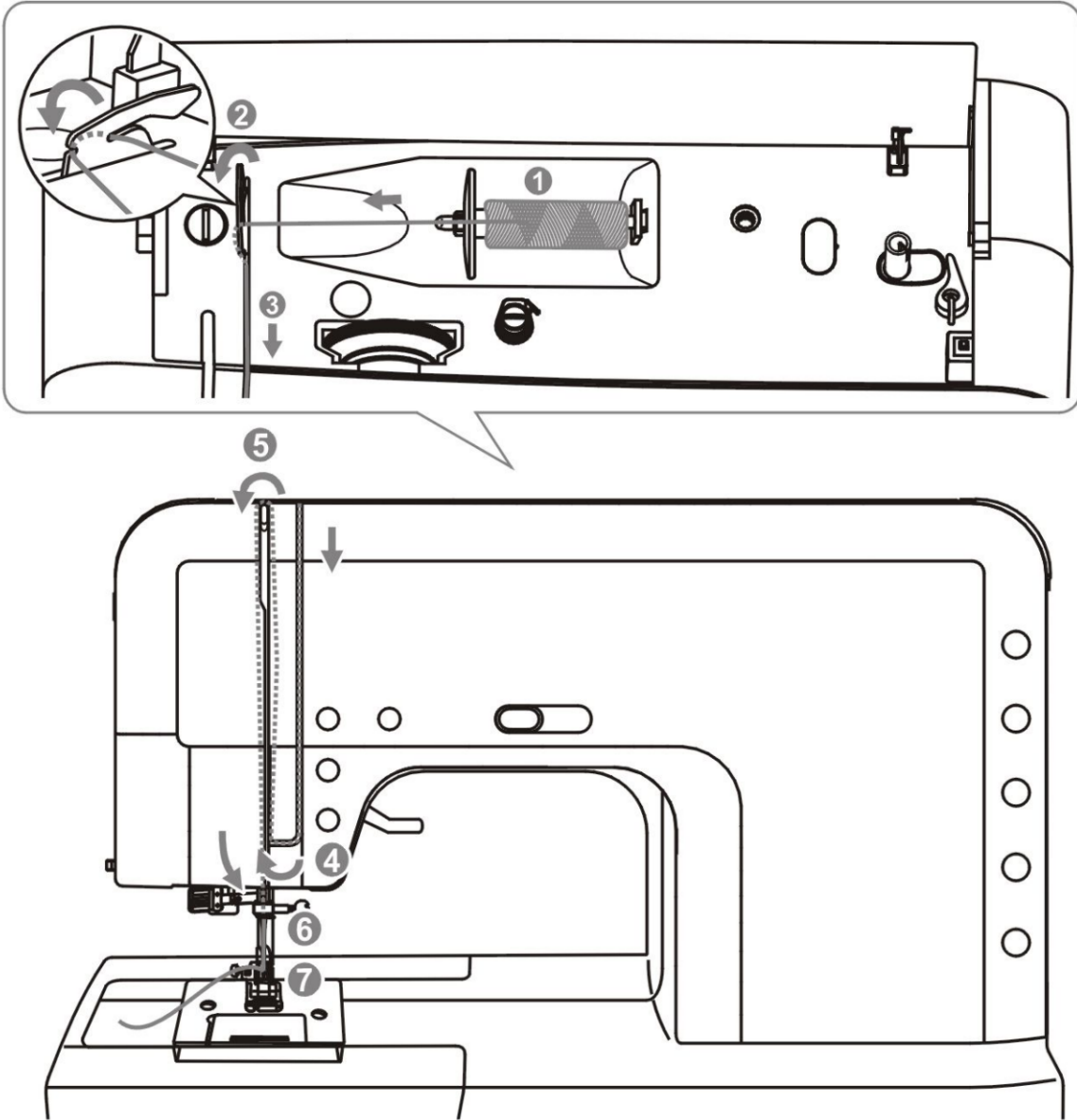
Normal mode display - model 20

1. Auto-lock
2. Needle stop down
3. Reverse
4. Auto-stop on pattern end
5. Machine running
6. Pattern group
7. Stitch number
8. Stitch length mode
9. Stitch length
10. Stitch width mode
11. Stitch width

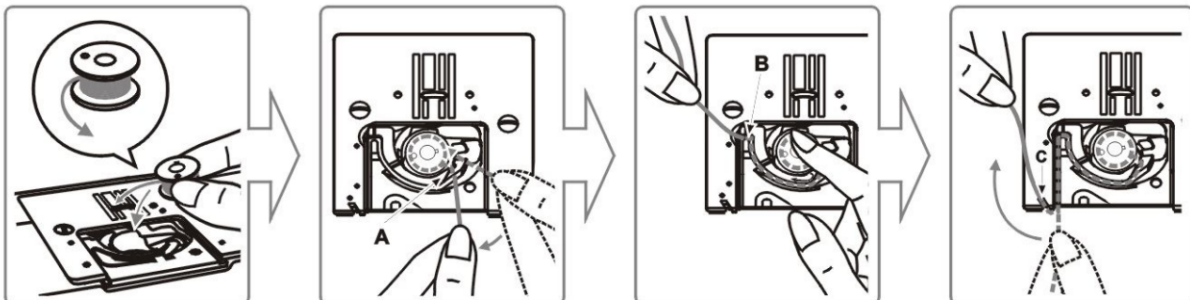
Quick Start Guide bernette 20 / 25

4. Threading the Upper Thread

Note: Before threading make sure needle is up.

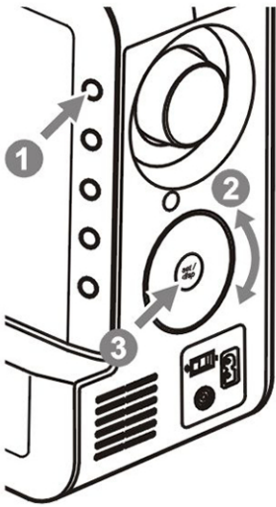


5. Inserting the Bobbin



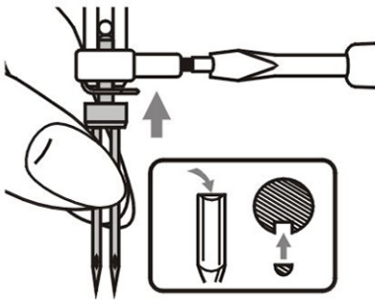
Quick Start Guide bernette 20 / 25

6. Setting a Pattern



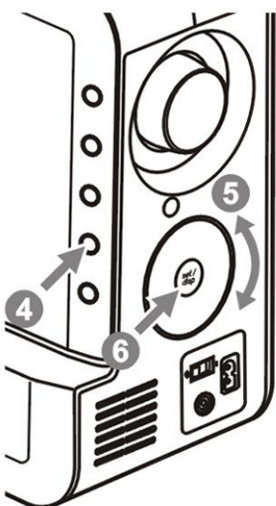
1. Press the pattern group selection button once to enter stitch patterns.
2. Use selector wheel to select desired stitch.
3. Press set/disp button to memorize it.

7. Setting Zigzag Stitch & Additional Function (Twin Needle)



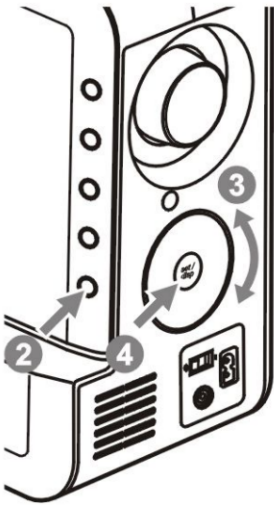
1. Insert the twin needle.
2. Follow the instructions for single-needle threading using the horizontal spool pin.
3. Select the zigzag (stitch #04).
4. Press the function button to open the function programm.
5. Use selector wheel to scroll to the twin needle function.
6. Press set/disp button to toggle twin needle function and memorize it.

See Page 63/64.



Quick Start Guide bernette 20 / 25

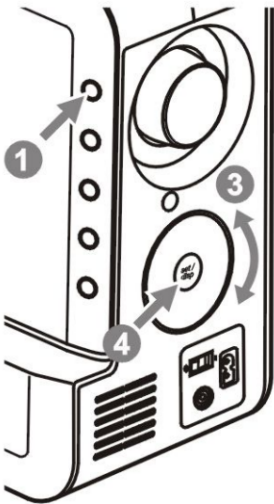
8. Setting a Decorative Stitch & Additional Function (Mirror)



1. Select the pattern.
2. Press the function button to open the function program.
3. Use selector wheel to scroll to the mirror function.
4. Press set/disp button to toggle mirror function and memorize it.

See Page 62.

9. Setting Alphabets



1. Double click the pattern group selection button to enter Alphabet Mode.
2. Press pattern group selection button once again to start the stitch number flashing.
3. Use selector wheel to select desired stitch.
4. Press set/disp button to memorize it.

Quick Start Guide bernette 20 / 25

10. Memory Modes & Functions

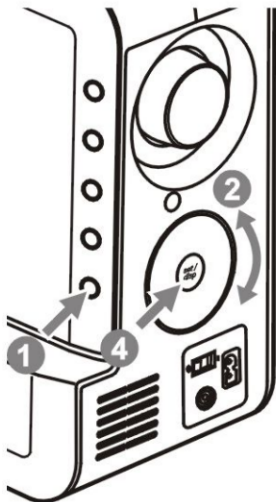
The **Memory Enter Mode** (Stitch number flashing) is used to continuously enter stitches into the memory.

The **Memory Review/Edit Mode** (Continuous display) is used to review memorized stitches, change parameters or to insert other stitches into memory.

To enter Memory Mode press "mem" button. To leave it and return to Normal Mode press "mem" button again.

While Memory Mode is active double-clicking Set/Disp will change between Memory Enter Mode and Memory Review/Edit Mode.

10.1 Enter a sequence of stitch patterns in Memory Enter Mode



Precondition: Empty Memory (see 10.5 to clear Memory)

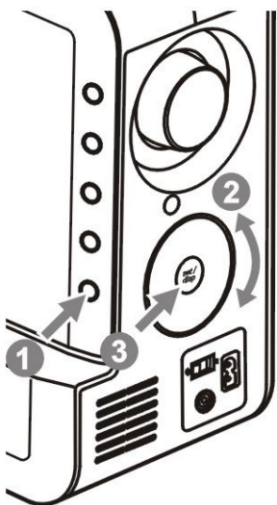
1. Press the memory button to enter the Memory Enter Mode (" *mem* ").
2. Use selector wheel to select desired stitch.
3. The stitch can be test sewn by pressing the start/stop button or the foot controller.
4. Press set/disp button to memorize it. Mem position will be shown for 2 seconds.
5. Repeat above mentioned steps for more patterns to be stored in the memory.
6. To sew the whole Memory content go to Memory Review/Edit Mode and press foot controller.

Note: to adjust parameters of the new stitch set them before pressing set/disp button.

See Page 67/68.

Quick Start Guide bernette 20 / 25

10.2 Review and edit stored stitches

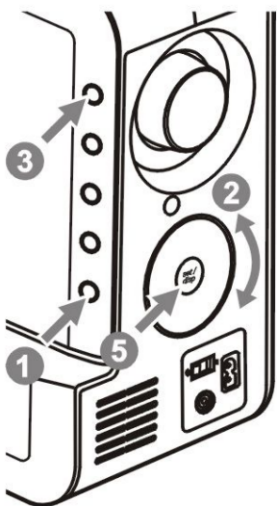


Precondition: with existing patterns in Memory

1. Press the memory button to enter the Memory Review/Edit Mode.
2. Use selector wheel to navigate to different stitches and to review the parameters set.
3. Press set/disp button to show the memory position of current stitch.
4. To change the stitch or parameters press the stitch/alphabet, stitch length, stitch width or function key.
5. Press set/disp button to store the changes and to go back into Memory Review/Edit Mode.

See Page 71/72.

10.3 Replace a stored stitch



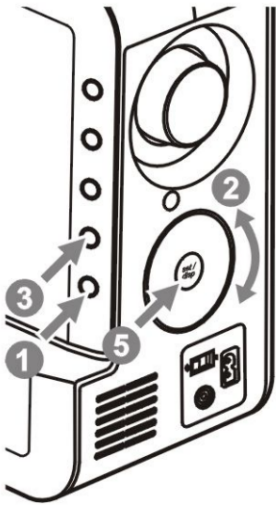
1. Press the memory button to enter the Memory Review/Edit Mode.
2. Use selector wheel to select the stitch that you want to replace.
3. Press the pattern group selection button.
4. Use selector wheel to select desired stitch.
5. Press set/disp button to store and return to the Memory Review/Edit Mode.

Note: to adjust parameters of the new stitch set them before pressing set/disp button.

See Page 72.

Quick Start Guide bernette 20 / 25

10.4 Insert an additional stitch

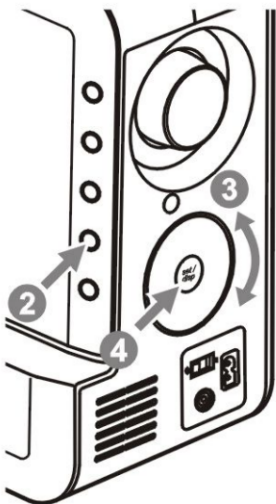


1. Press the Memory button to enter the Memory Review/Edit Mode.
2. Use selector wheel to select the stitch that you want to insert a new stitch before it.
3. Press the function button to open the function program.
4. Use selector wheel to scroll to the insert function.
5. Press set/disp button to insert an empty memory position
6. Use selector wheel to select desired stitch.
7. Press set/disp button to store and return to the Memory Review/Edit Mode.

Note: to adjust parameters of the new stitch set them before pressing set/disp button.

See Page 73/74.

10.5 To clear the Memory



1. Press memory button to enter the Memory Review/Edit Mode.
2. Press function button to open function program.
3. Use selector wheel to scroll to the delete ALL function and press set/disp button.
4. Press set/disp button again and hold for 2 seconds to delete all stored stitches and return to Memory Enter Mode.

See Page 77.