



Foldable Sit Down Table

Assembly instructions

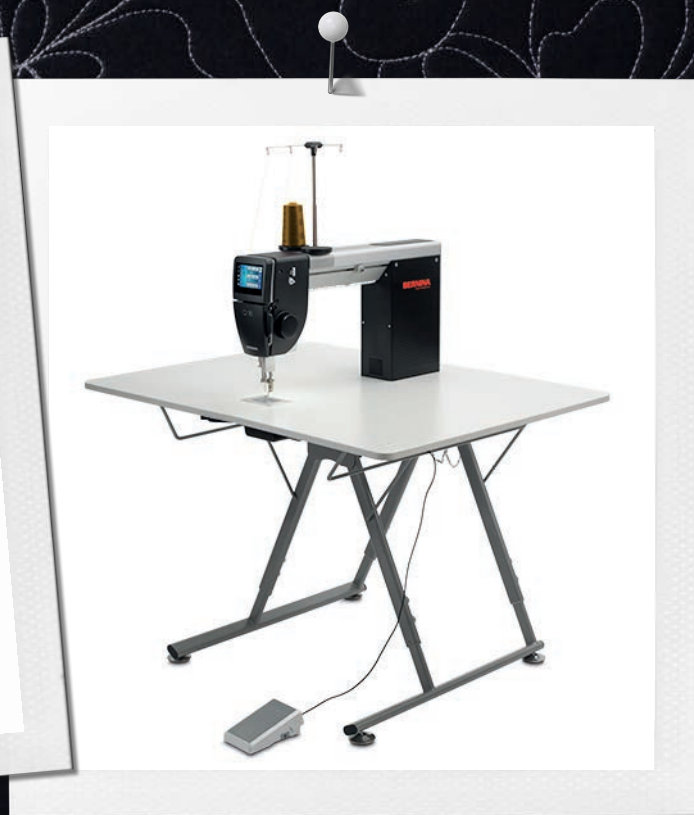


Table of Contents

	IMPORTANT SAFETY INSTRUCTIONS	4
1	WARNING	4
	Important information	5
2	My BERNINA	6
2.1	Introduction	6
2.2	Overview of foldable sit down table	6
3	Unpacking and setting up the sit down table ..	7
4	Adjusting the table height	8
5	Mounting the Q 16	9
5.1	Mounting the insert	9
5.2	Placing the machine	9
5.3	Lifting the table tops	10
6	Mounting the Q 20	12
6.1	Placing the machine	12
6.2	Lifting the table tops	12
6.3	Mounting the insert	12



IMPORTANT SAFETY INSTRUCTIONS

Note the following basic safety instructions when assembling the sit down table, and carefully read through the operating instructions for the BERNINA Q Series machine before using the sit down table.

WARNING

To protect persons from injuries:

- The packaging of the sit down table is large and heavy. The packaging should, therefore, always be carried by at least two adults together.
- Position the packaging such that it cannot fall over.
- Setting up the sit down table requires at least two adults.
- During assembly of the individual and small parts, ensure that the parts are kept out of the reach of small children (risk of suffocation).
- During assembly, ensure that your fingers do not get trapped or caught.
- Only use the sit down table for the purpose described in these assembly instructions.
- Do not use the sit down table as a toy.
- The sit down table can be assembled by children over the age of eight, as well as by persons with reduced physical, sensory or mental capacities or with a lack of experience and knowledge, as long as they are supervised or have been made aware of the potential hazards.
- Do not move, tip or fold the sit down table as long as the machine is mounted on it. Remove the machine before moving, tipping or folding the sit down table.
- Position the folded sit down table such that it cannot fall over.
- Do not sit or lean on table tops.

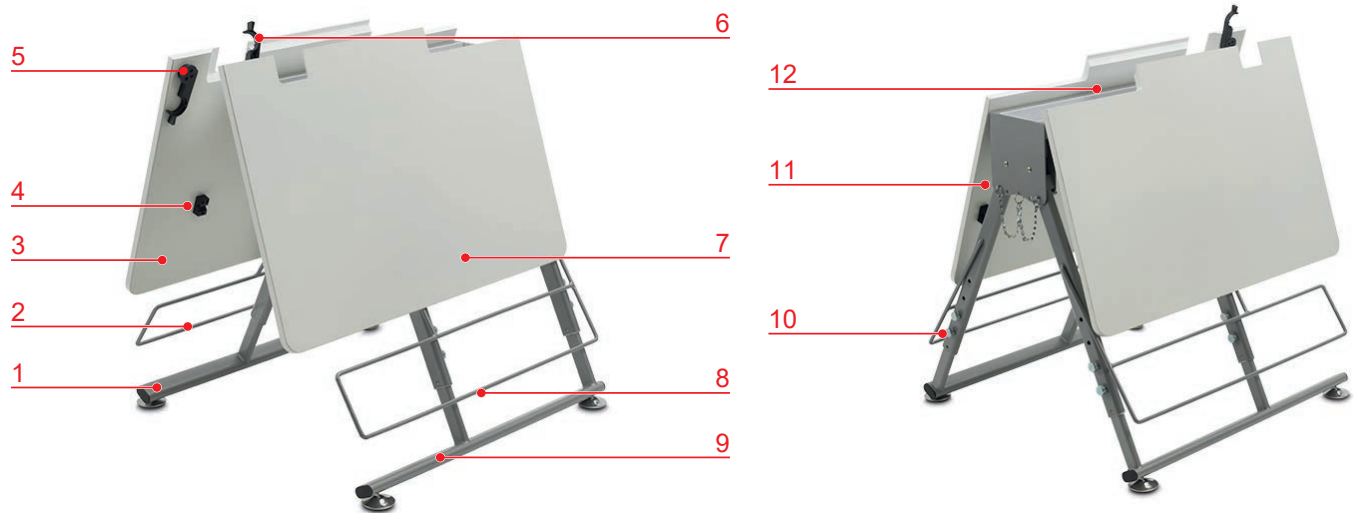


2 My BERNINA

2.1 Introduction

The foldable sit down table allows you to quilt comfortably while sitting, using the machines of the BERNINA Q Series, which are suited for use as table models. If the machine has already been disassembled, the sit down table can be folded and stored in a way that saves space.

2.2 Overview of foldable sit down table



- 1 Leg, left
- 2 Support bracket, left
- 3 Table top, left
- 4 Latch
- 5 Locking bracket, left
- 6 Locking bracket, right

- 7 Table top, right
- 8 Support bracket, right
- 9 Leg, right
- 10 Height adjustment
- 11 Securing pin, table legs
- 12 Opening for machine



3 Unpacking and setting up the sit down table

⚠ WARNING

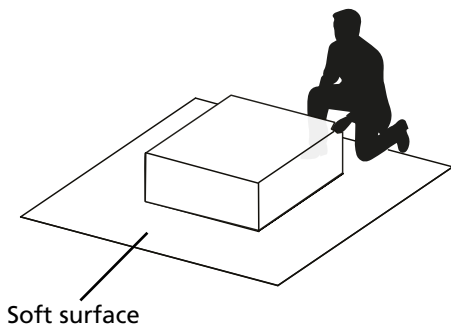
Heavy sit down table

Lifting the sit down table can cause back injury.

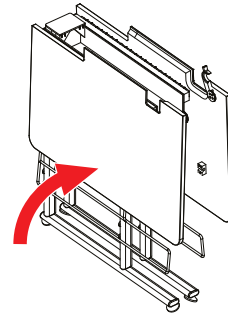
Accidentally dropping the sit down table can cause injuries and damage to property.

> Always set up the sit down table with the help of a second person.

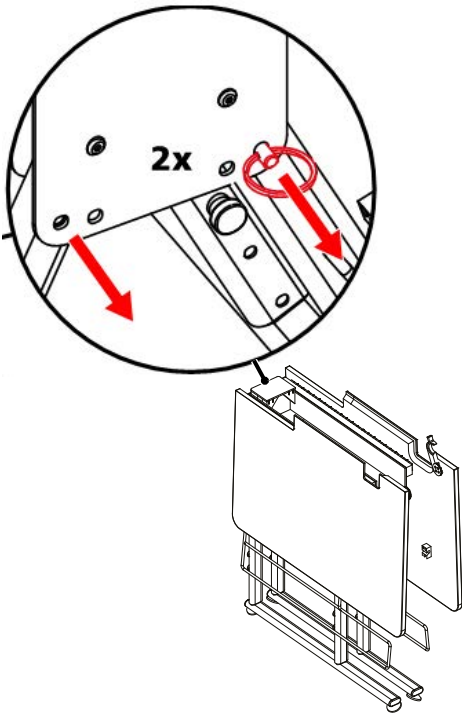
1 Unpack the table carefully.



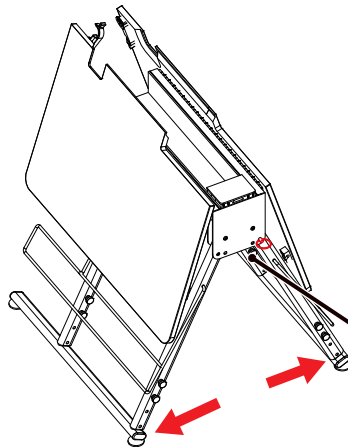
2 Set up the table with the help of another person.



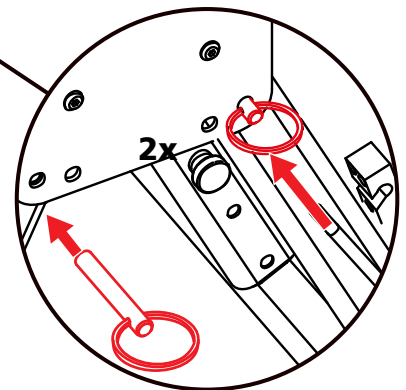
3 Remove the 2 securing pins.



4 Unfold the legs



5 Replace the 2 securing pins.

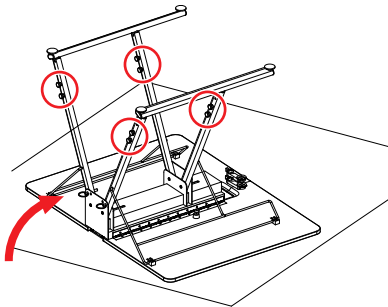


4 Adjusting the table height

Prerequisite

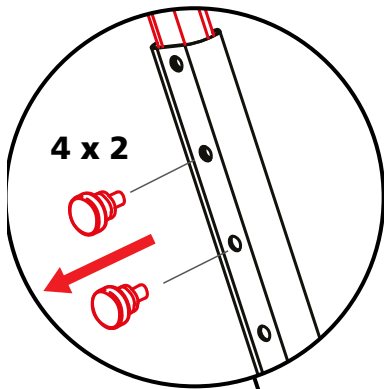
- The machine is not placed into the table.

- 1 With the help of another person, tip the table so that the screws are easily accessible.

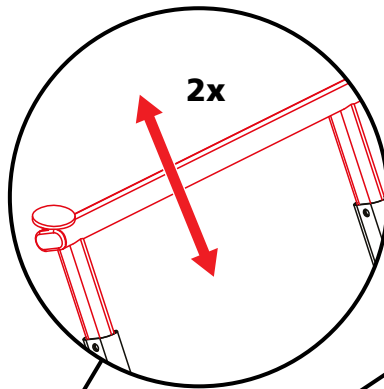


Tip the table on its side, or tip the table forward, or place table on the table top.

- 2 Remove 2 screws from each of the 4 legs.



- 3 Adjust both legs to the same length.



- 4 Tighten 2 screws on each of the 4 legs.

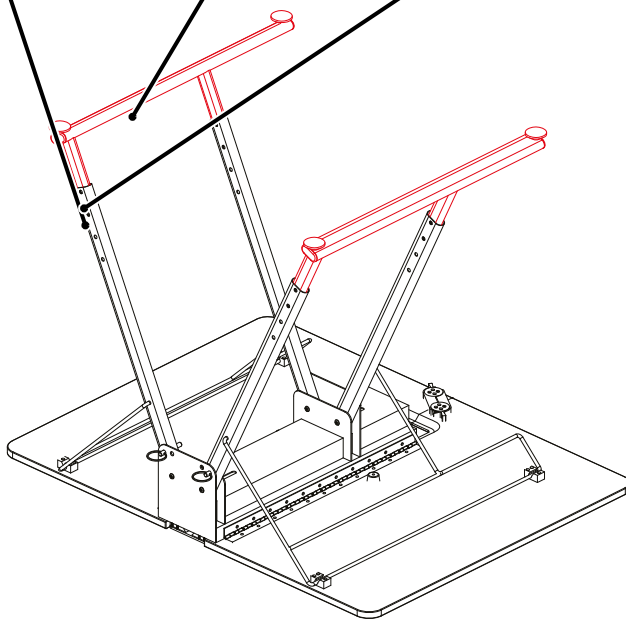
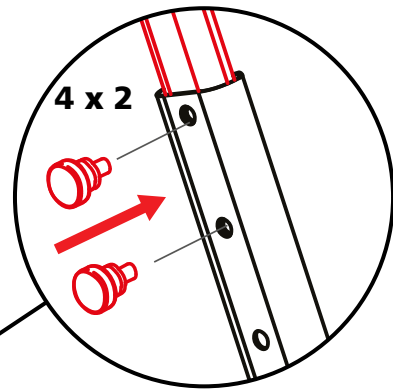


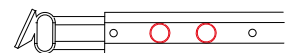
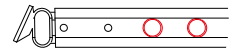
Table height

73 cm
(28 in)

78 cm
(30 in)

83 cm
(32 in)

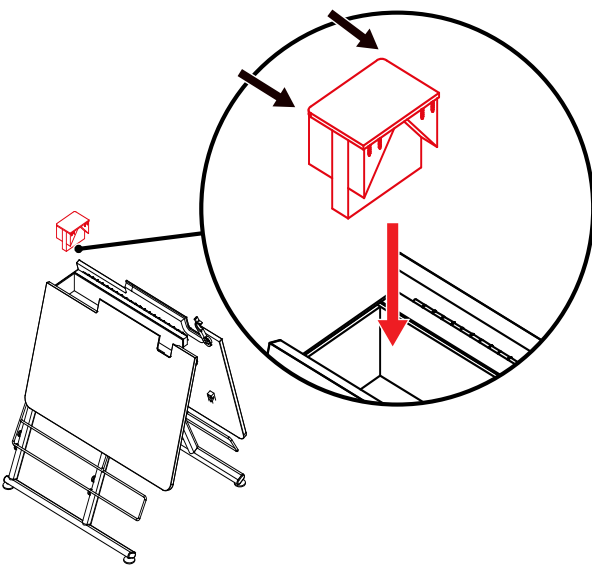
Screws



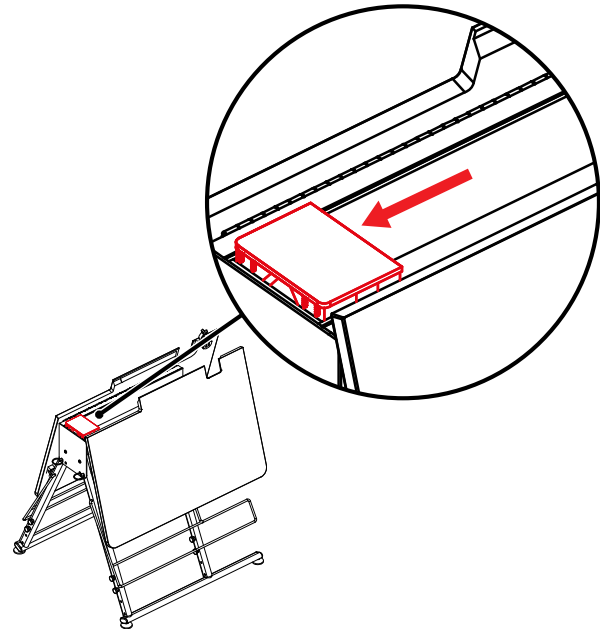
5 Mounting the Q 16

5.1 Mounting the insert

- 1 Mount the insert with rounded corners to the rear.

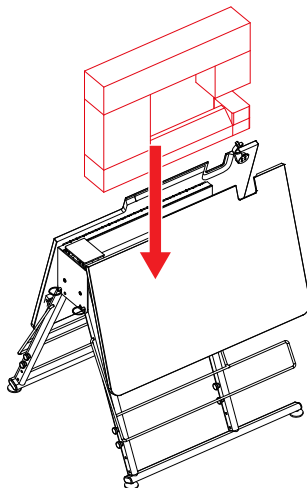


- 2 Push the insert as far back as it will go.

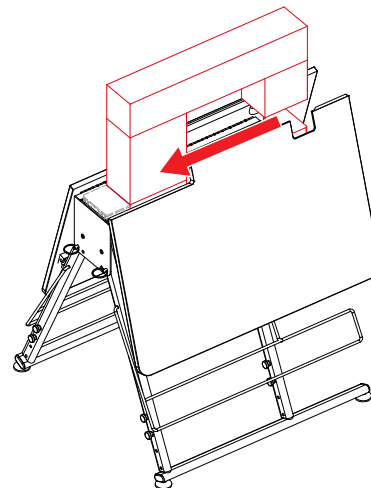


5.2 Placing the machine

- 1 Place the machine with the help of another person.

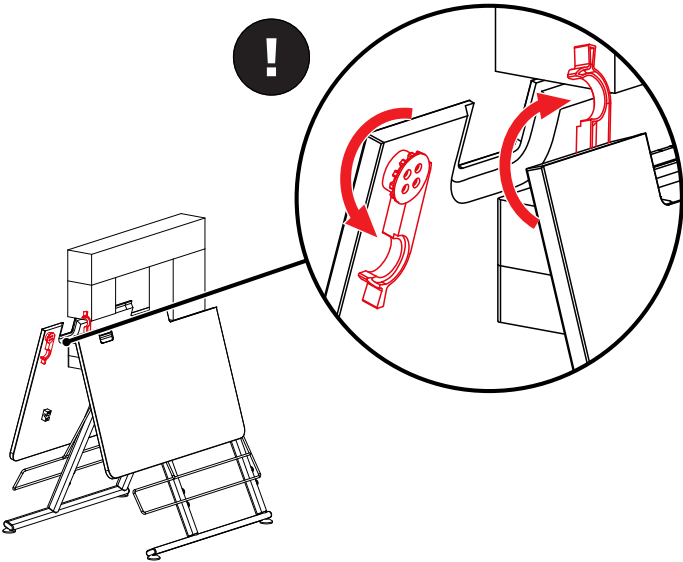


- 2 Push the machine as far back as it will go.

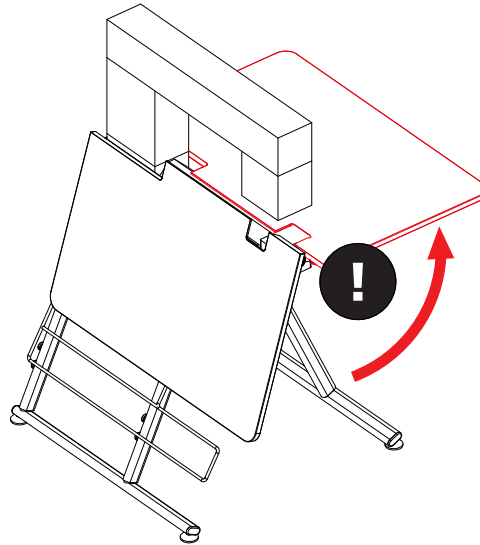


5.3 Lifting the table tops

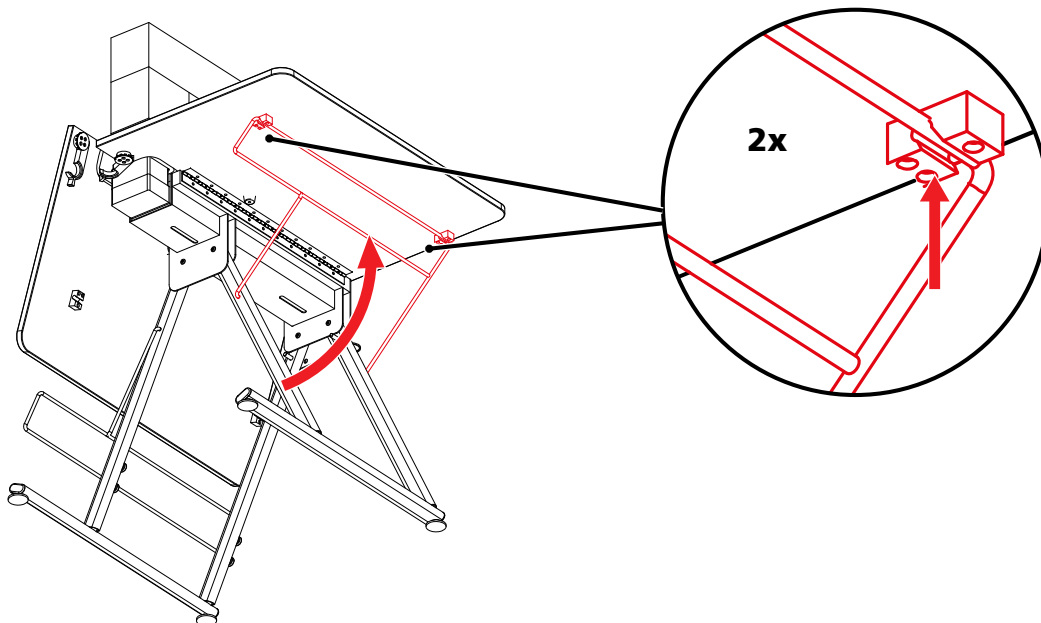
1 Align the two locking brackets as shown in the picture.



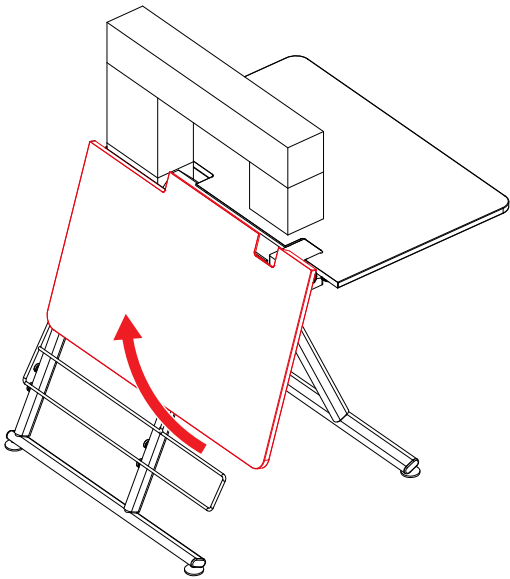
2 First, slowly lift the right table top.



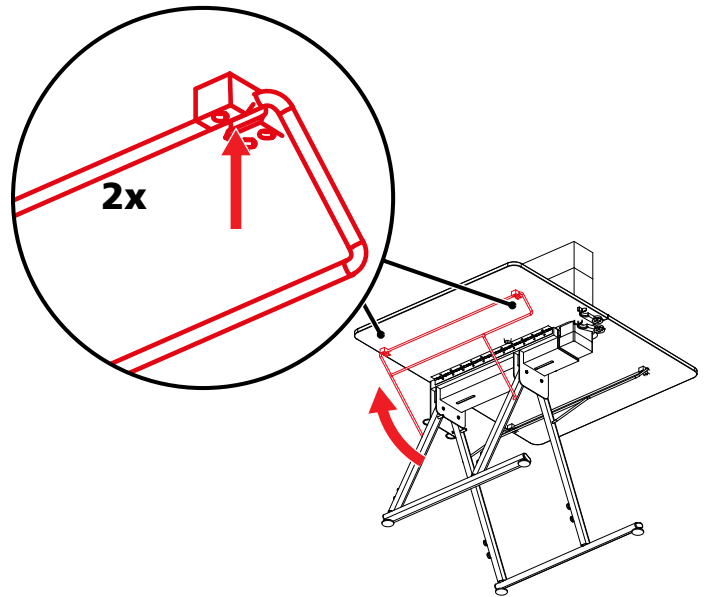
3 Raise the support bracket and snap it in audibly.



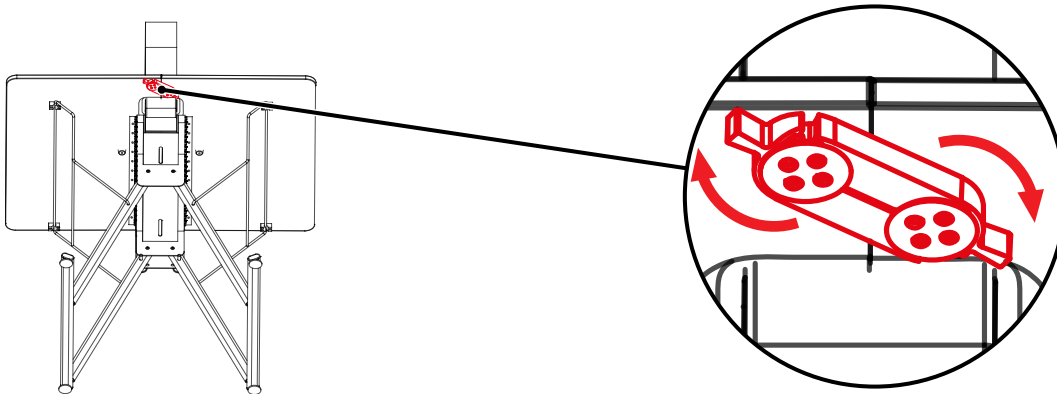
4 Lift the left table top.



5 Raise the support bracket and snap it in audibly.



6 Close the locking brackets.



6 Mounting the Q 20

6.1 Placing the machine

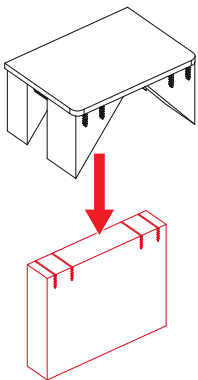
(see page 9)

6.2 Lifting the table tops

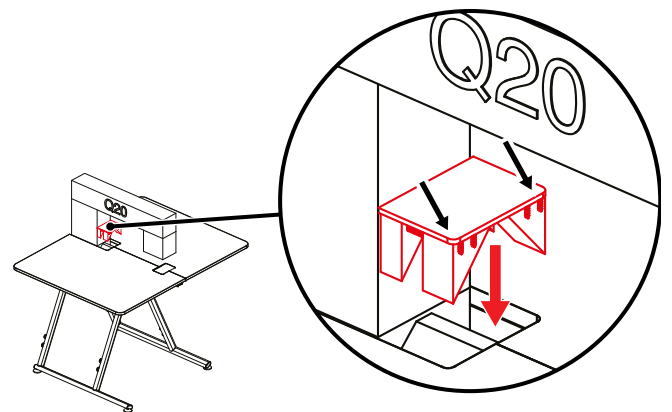
(see page 10)

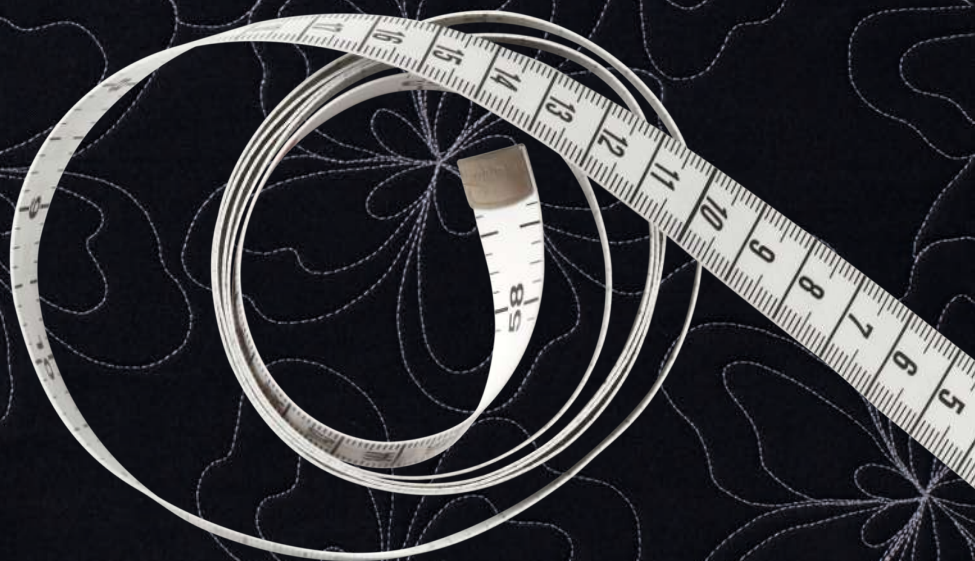
6.3 Mounting the insert

- 1 Remove the centerpiece.



- 2 Mount the insert with rounded corners to the front.





in partnership with

Mettler[®]

BERNINA International AG | CH-8266 Steckborn, Switzerland | www.bernina.com | © Copyright by BERNINA International AG

1050655_00A_04
2020-02_EN

made to create **BERNINA**