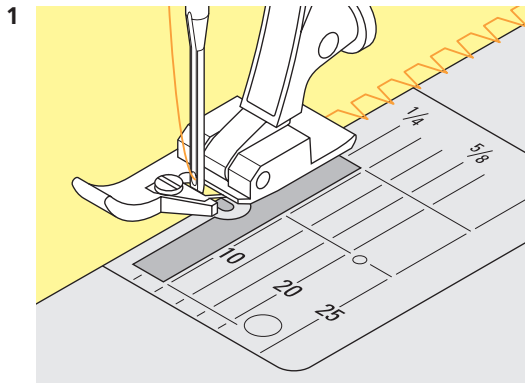
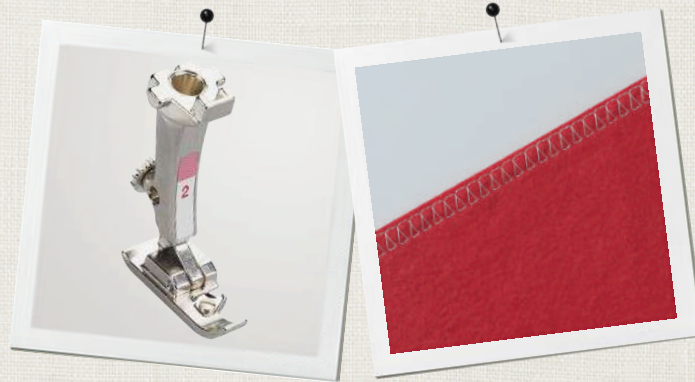


Overlock Foot

#2

Gamma Kappa
Machine 5.5 | 9 mm



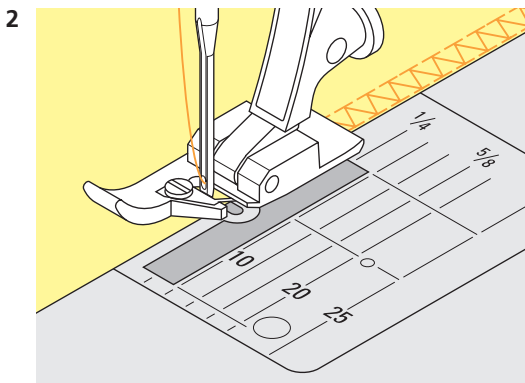
Information

Purpose

- For overlock seams.
- For overcasting seams.
- For visible seams on stretch fabrics.

For your safety

Before using this accessory, please read the instruction manual at hand as well as the instruction manual of your machine carefully.



Application

Using the overlock foot

- > Select an overlock stitch or a fitting elastic stitch.
- > Set the stitch width to 4 – 5.
- > Set the stitch length to 1 – 1.5.
- > Set needle position as required. Make sure that the needle does not hit the presser foot pin.
- > Set the feed dog to the sewing position.
- > Lay edges of fabric under the presser foot in such a way that the pin of the foot is lying on the raw edge.
- > Overlock seam: When it swings out to the right, the needle should always sew into empty space just to the right of the pin. This ensures that there is always enough thread and the edge does not pucker. (Fig. 1)
- > Overcasting seams: Use zigzag stitch or overlock stitch. (Fig. 2)

Tip

- > With stretch fabrics, reduce the presser foot pressure if possible.
- > Use a jersey/embroidery needle.