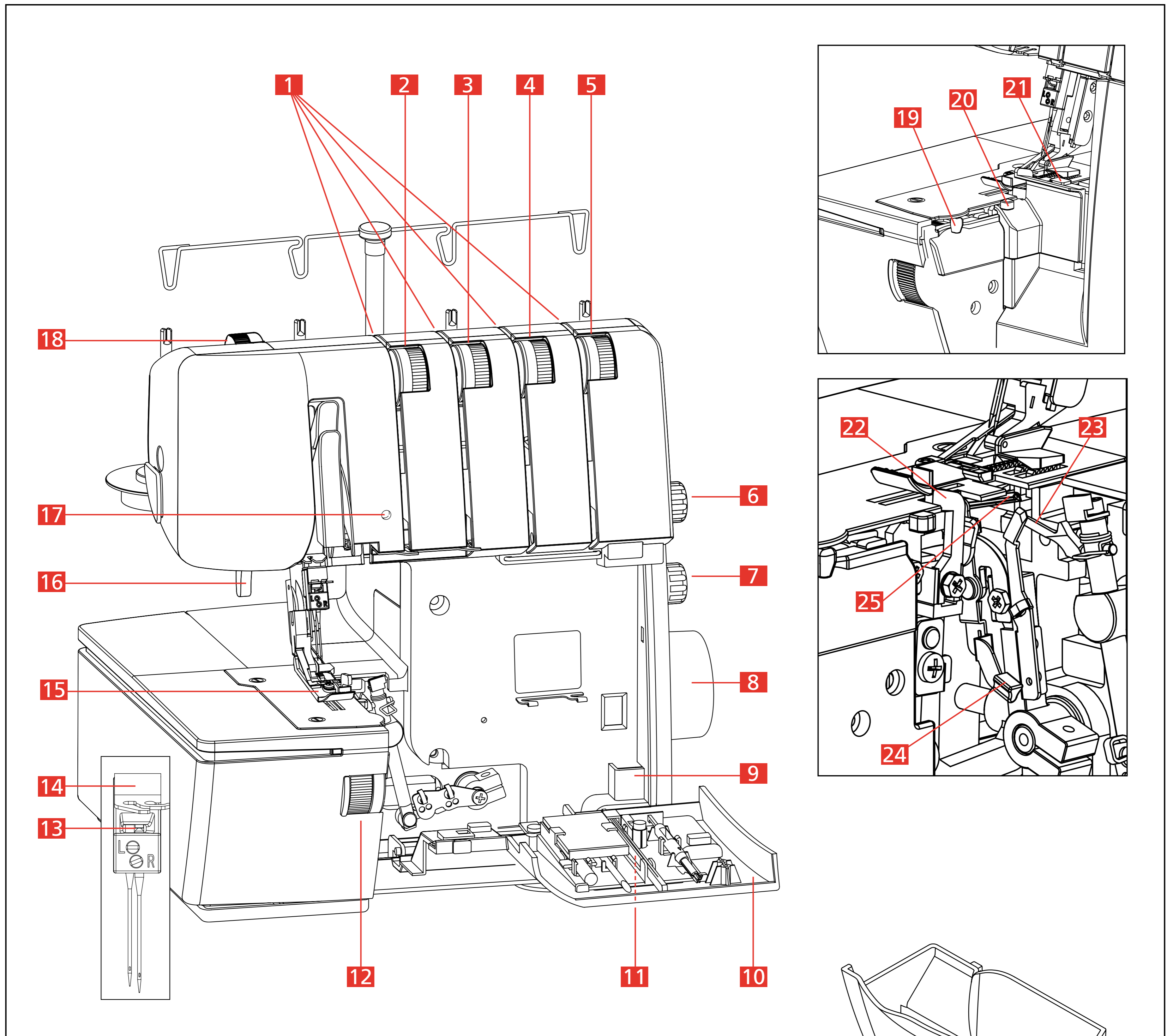


BERNINA L 460 / L 450



- | | |
|---|---|
| 1 Thread pretension | 15 Presser Foot |
| 2 Thread tension adjustments (yellow) LN | 16 Presser foot lifter |
| 3 Thread tension adjustments (green) RN | 17 Safety indicator (L 460 only) |
| 4 Thread tension adjustments (blue) UL | 18 Presser foot pressure |
| 5 Thread tension adjustments (red) LL | 19 Micro Thread Control (mtc) |
| 6 Stitch Length (SL) | 20 Rolled Hem Selection Lever |
| 7 Differential Feed (DF) | 21 Cutting Width Indicator |
| 8 Handwheel | 22 Knife |
| 9 Needle Pad | 23 Upper looper (UL) |
| 10 Looper Cover | 24 Lower looper threader lever |
| 11 Kneelifter Socket | 25 Lower looper (LL) |
| 12 Cutting Width (CW) | 26 Cut-offs bin |
| 13 Needle Checking Window | 27 Extension table |
| 14 Needle holder | 28 Kneelifter (FHS) (L 460 only) |