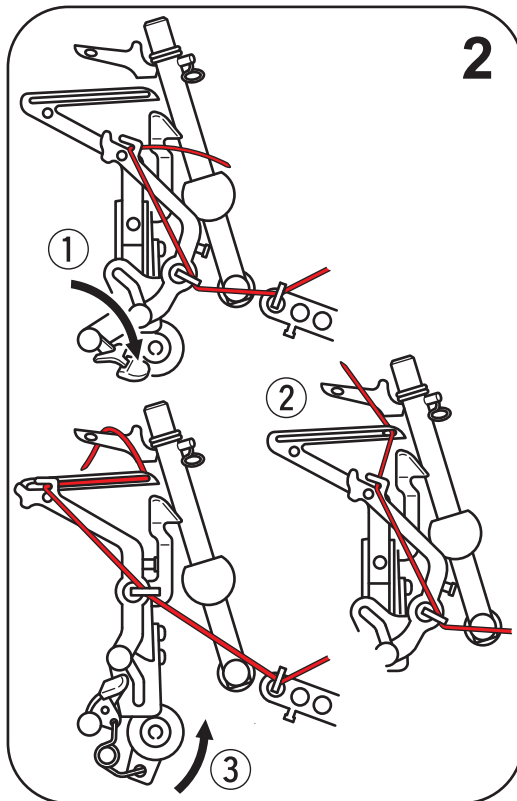
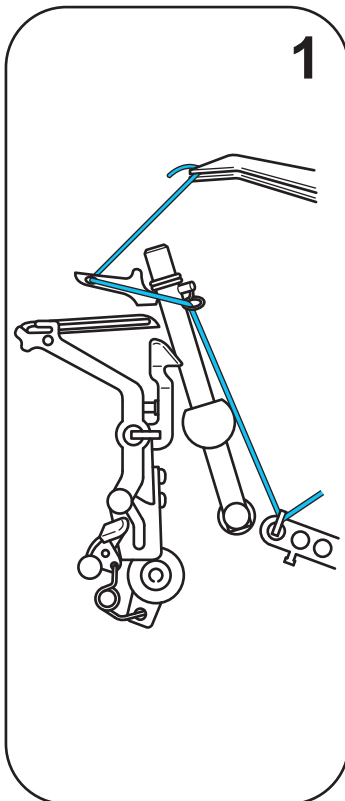
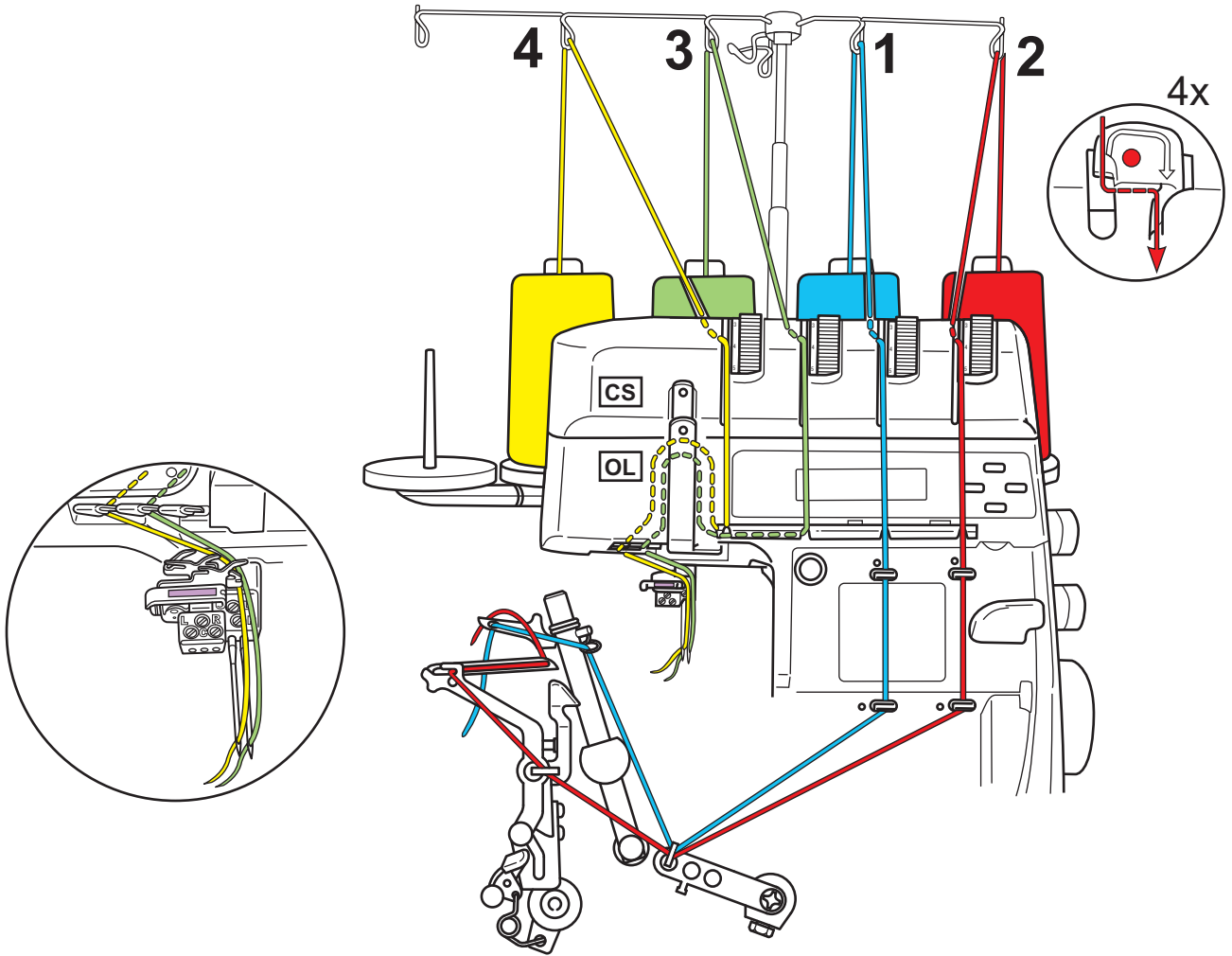
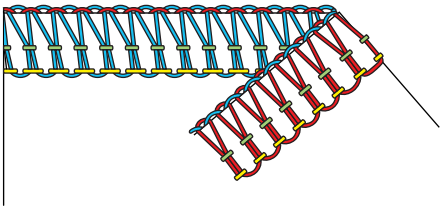
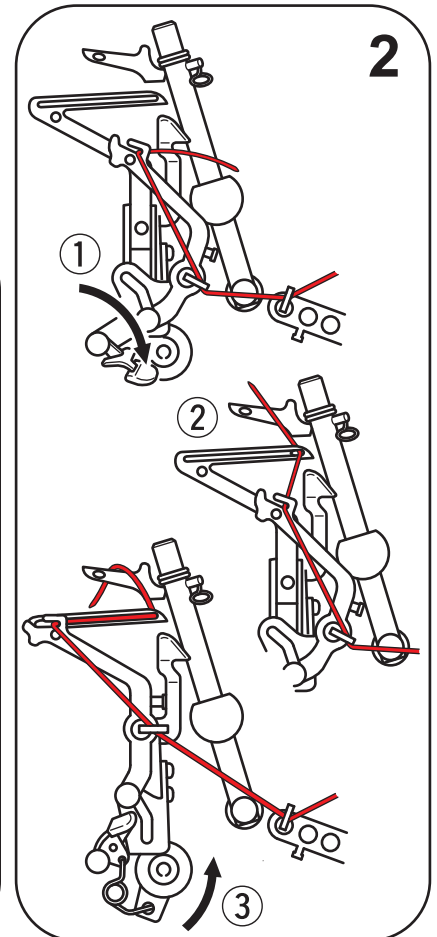
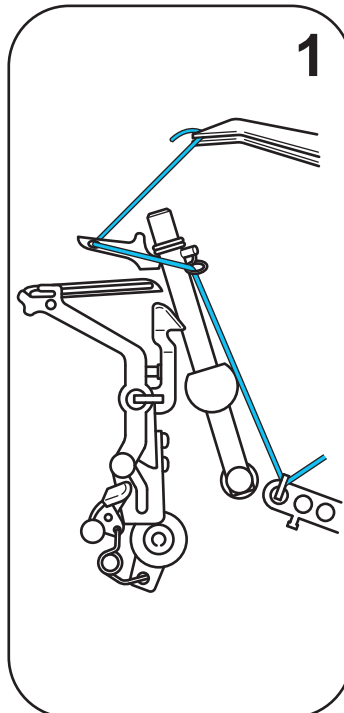
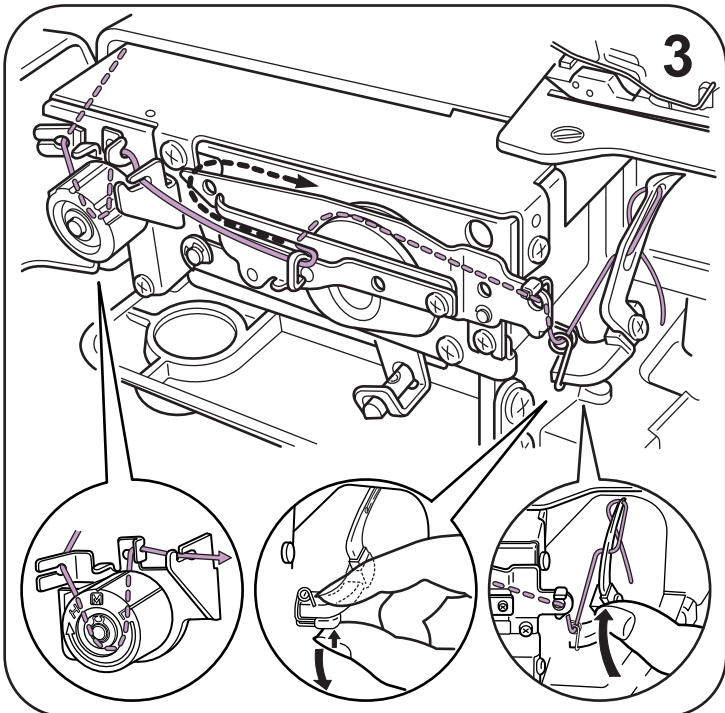
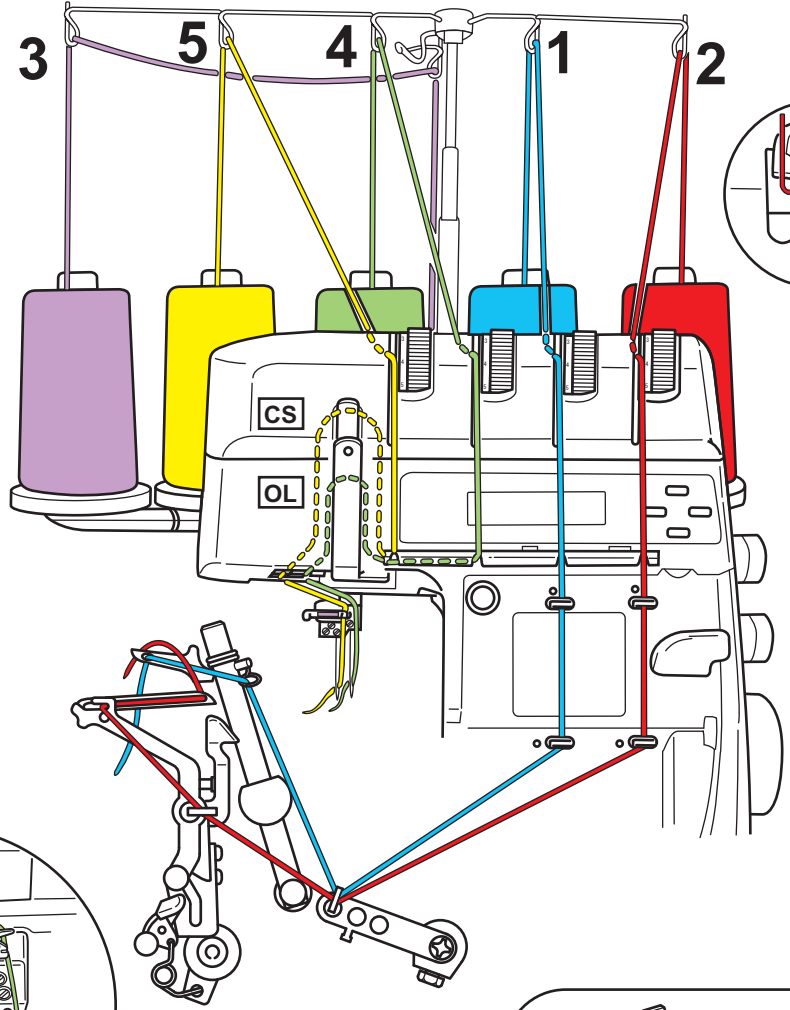
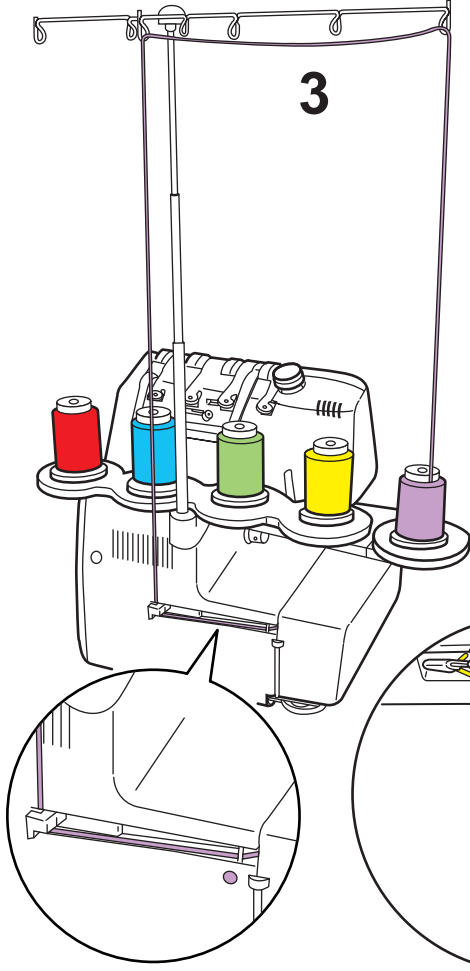
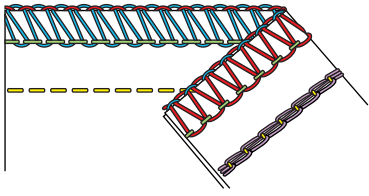


4-thread overlock with integrated safety seam

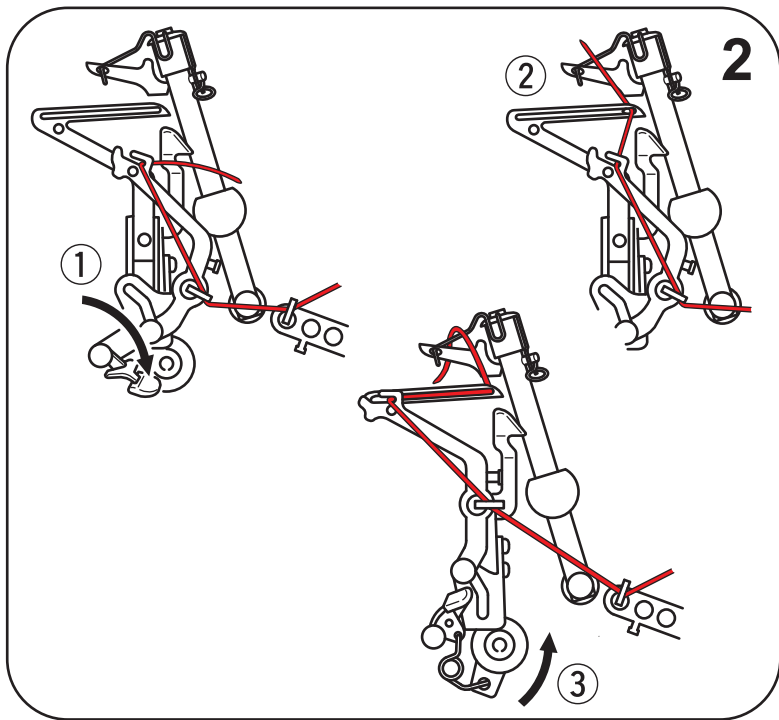
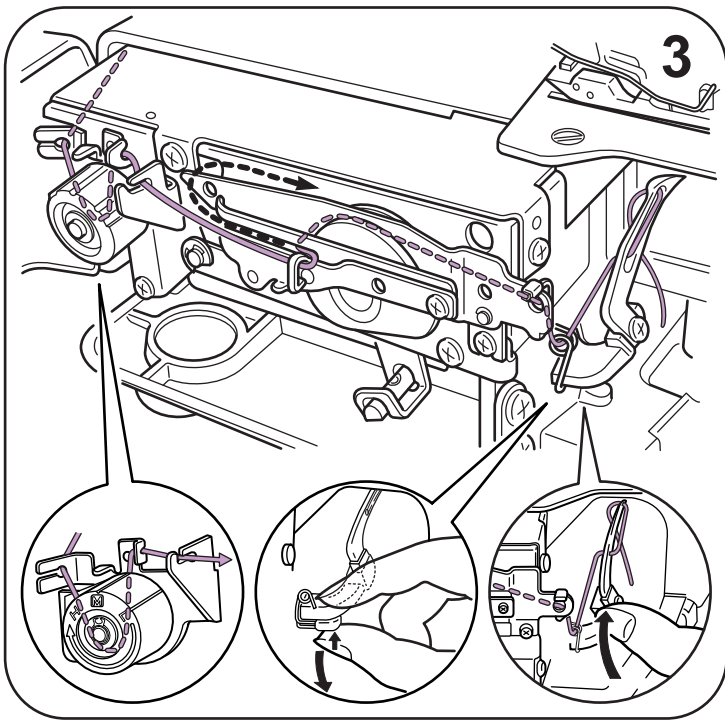
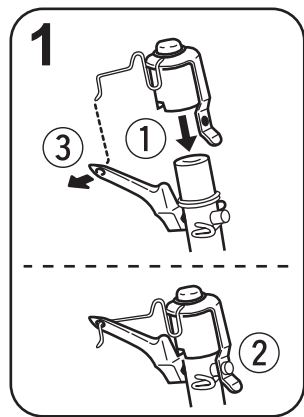
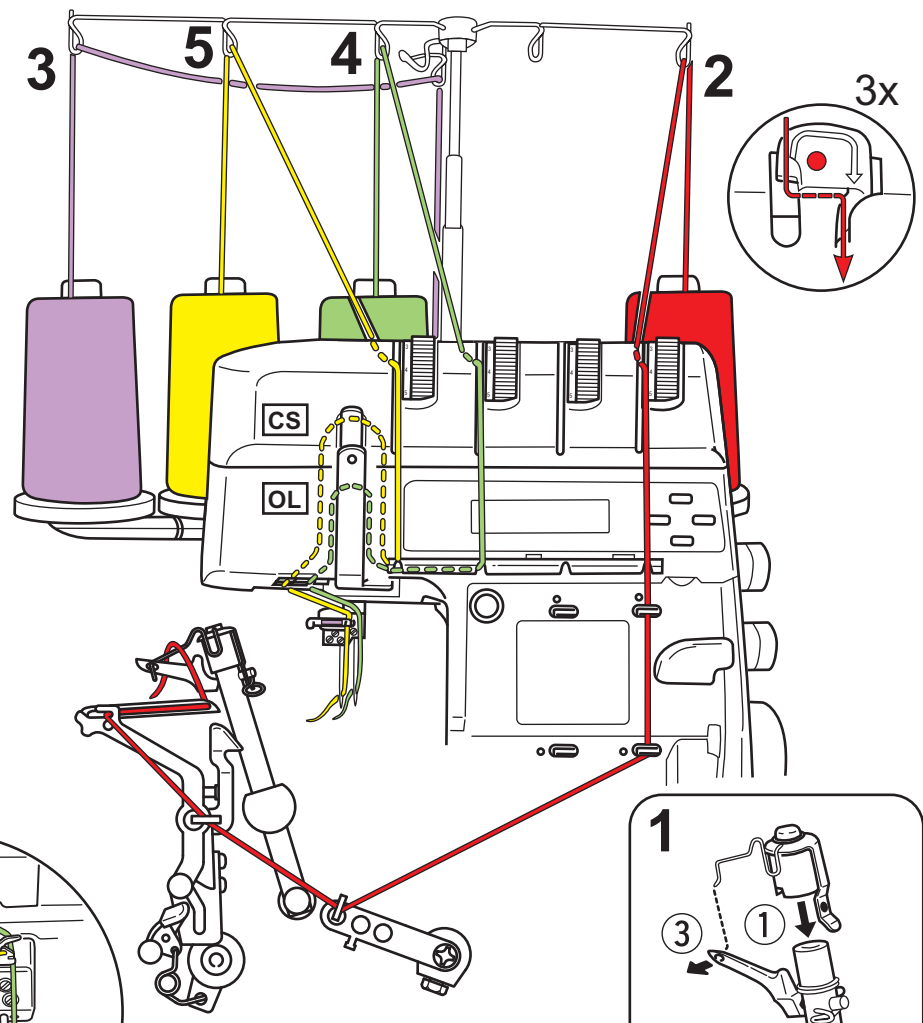
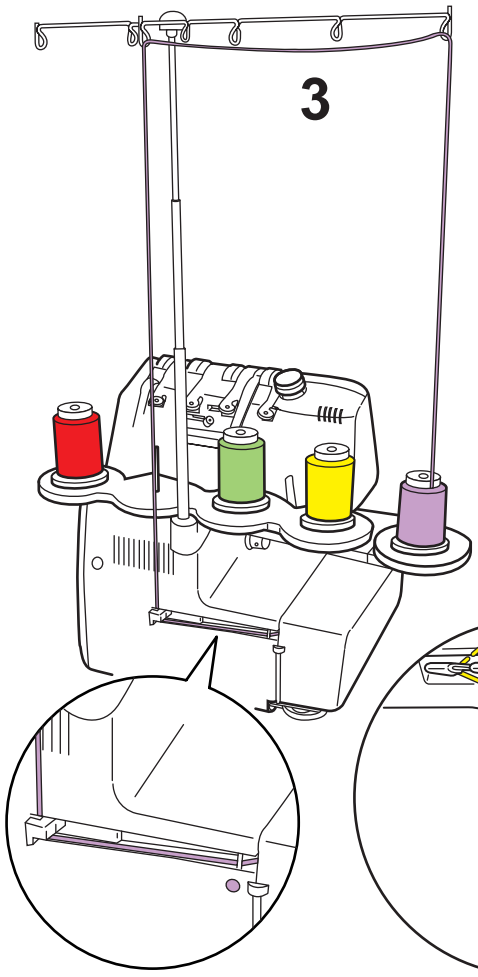
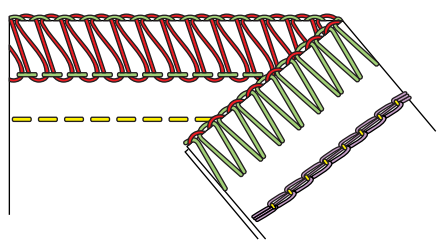
1



3-thread overlock (right needle)+Chain stitch



2-thread overlock (left needle)+Chain stitch **19**



4-thread cover stitch

