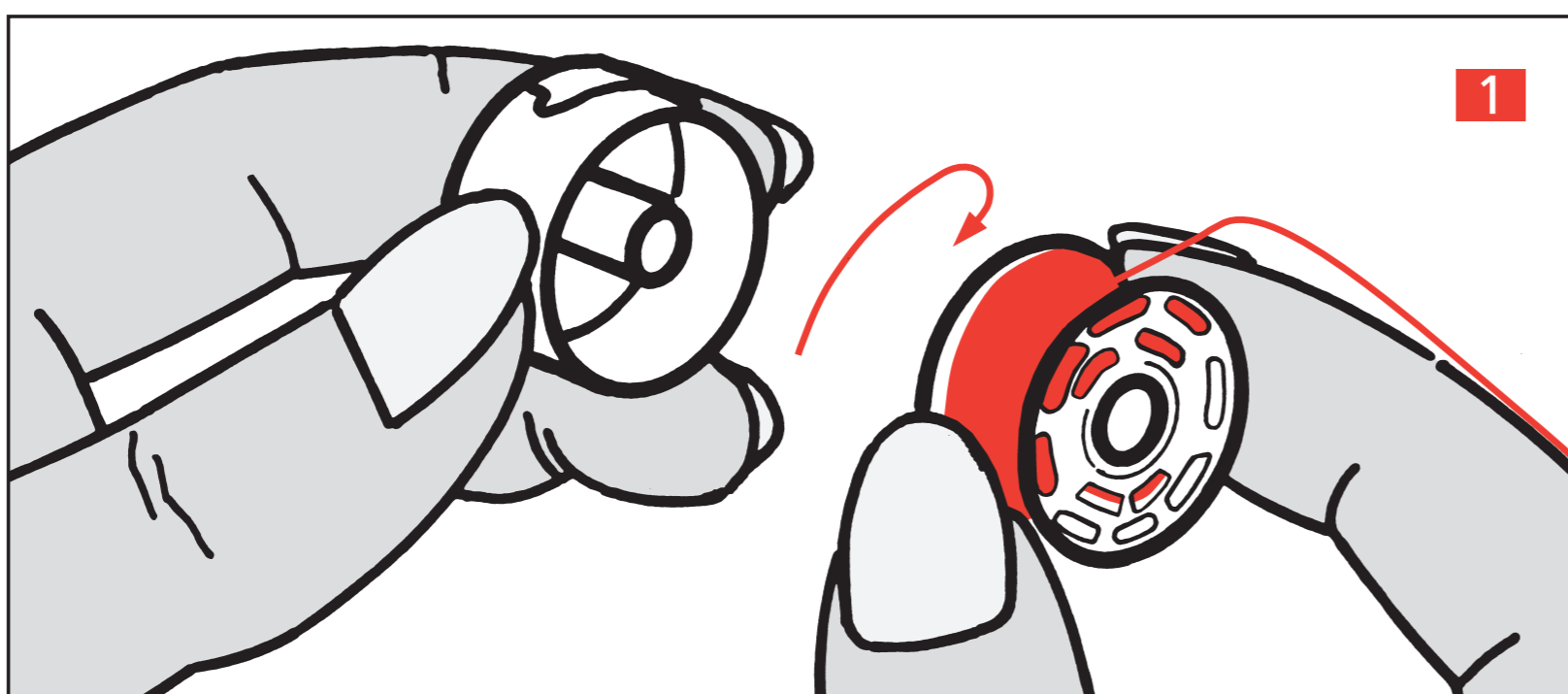
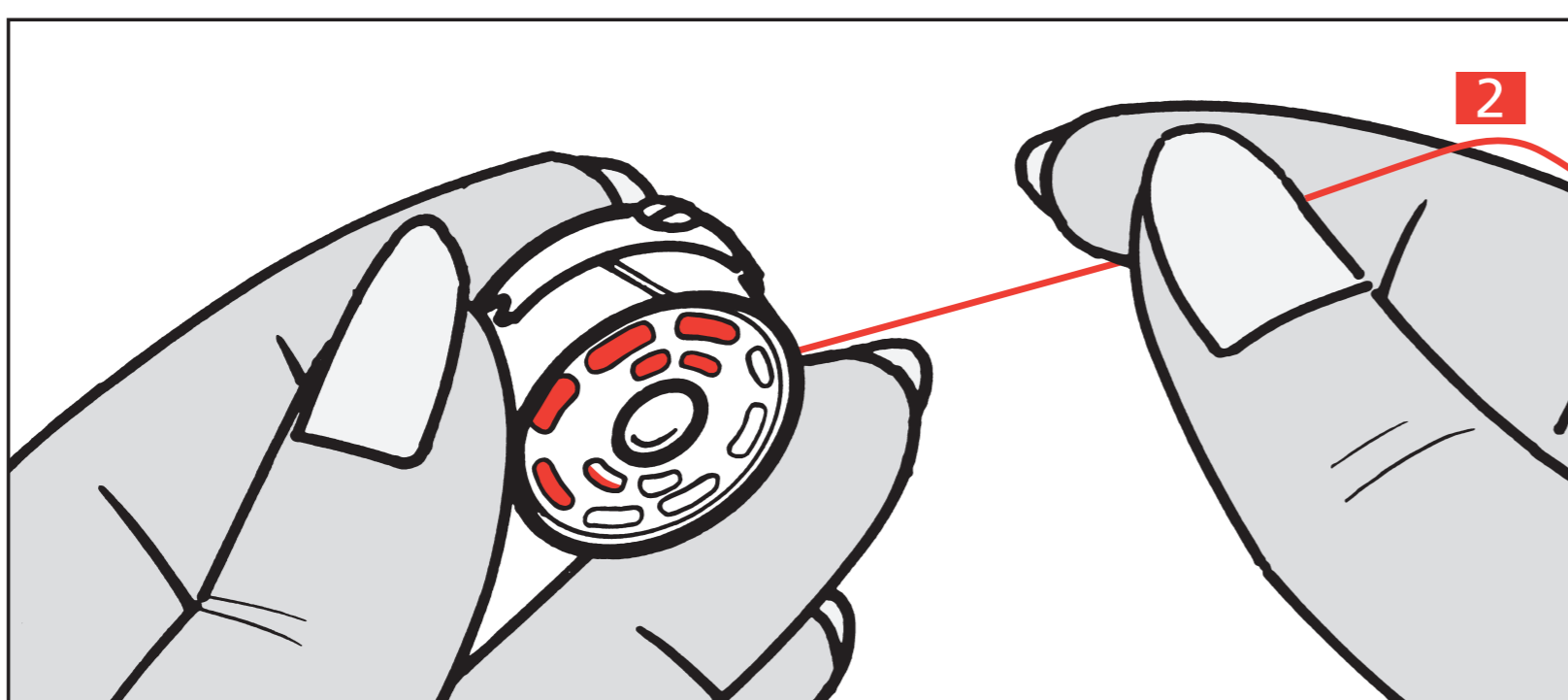


## Inserting the bobbin (Rotary hook system)

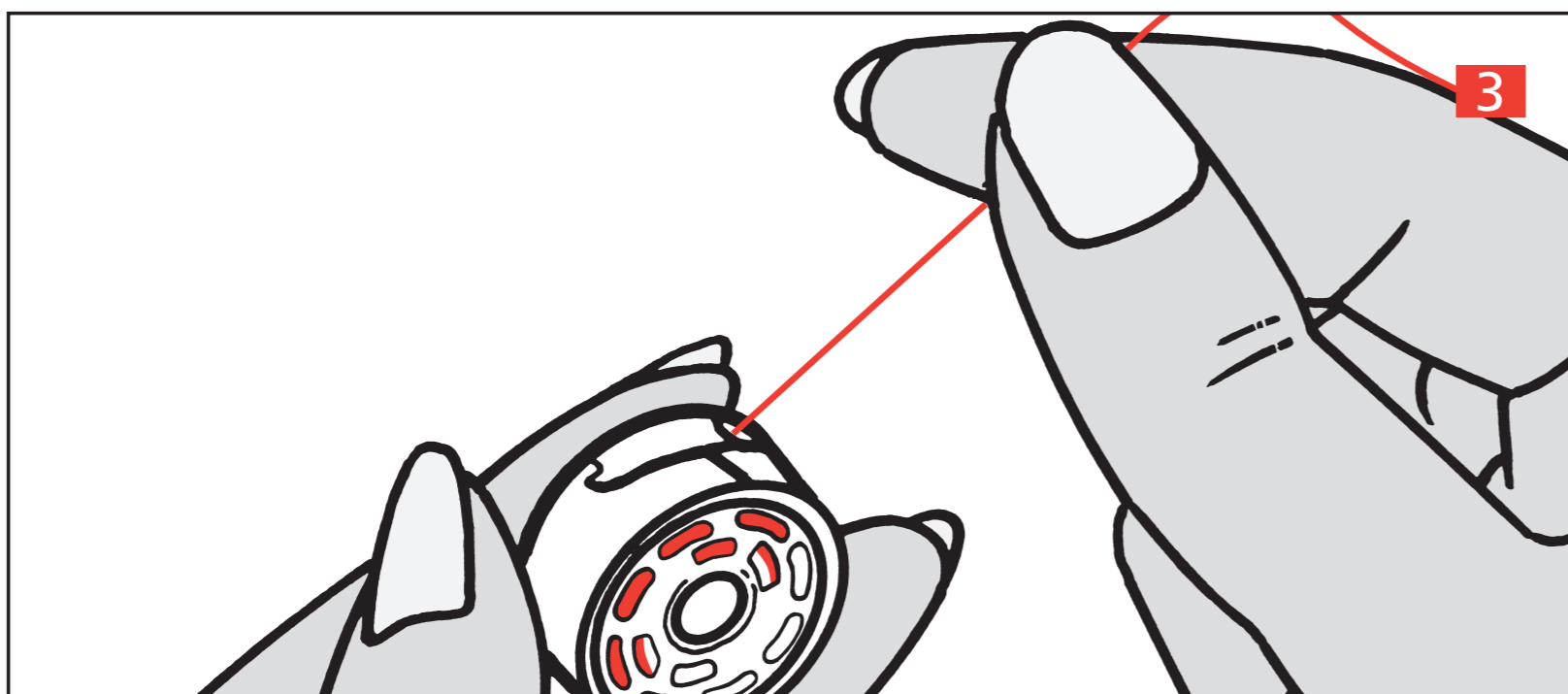


### Instructions

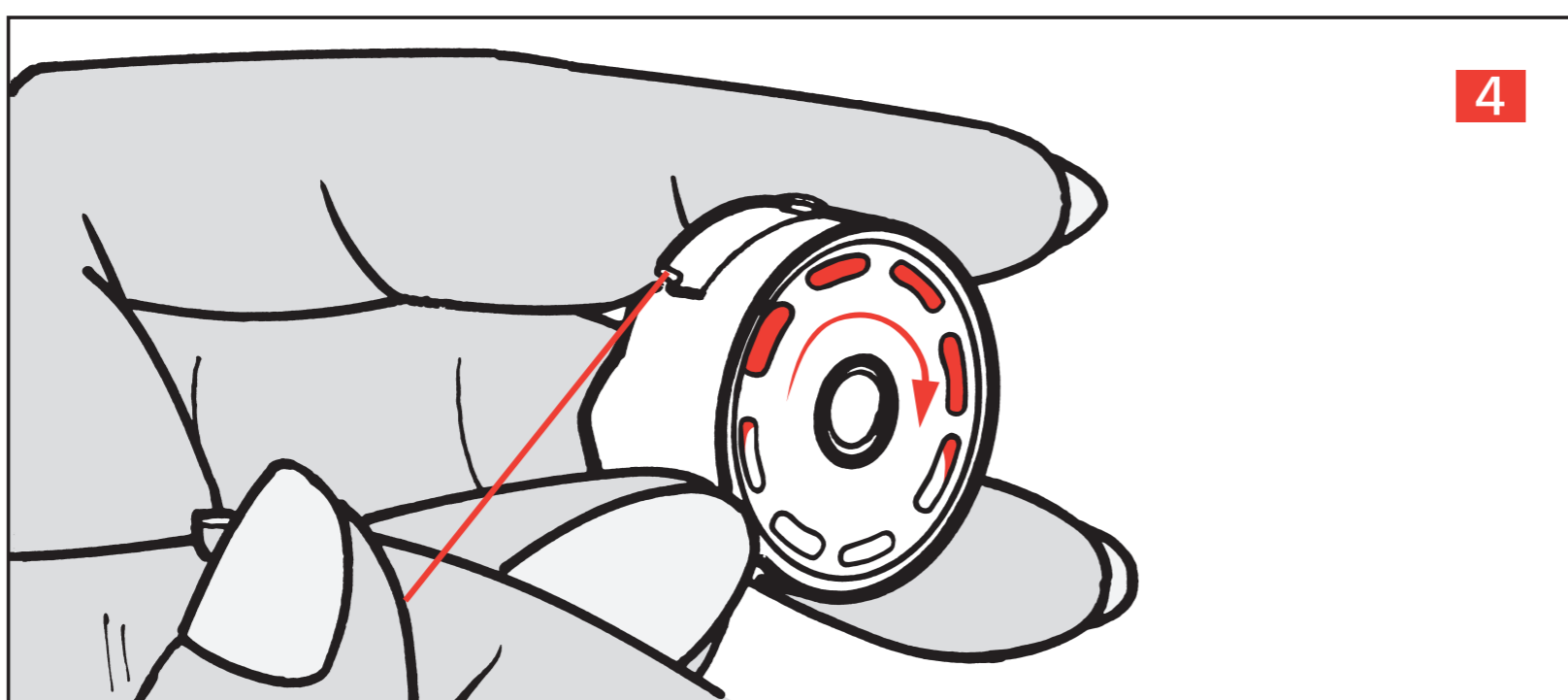
**1** Hold the bobbin case in your left hand, as shown in the picture. Insert the bobbin with your right hand with the thread end placed over your right index finger.



**2** Pull the thread back to the slot.

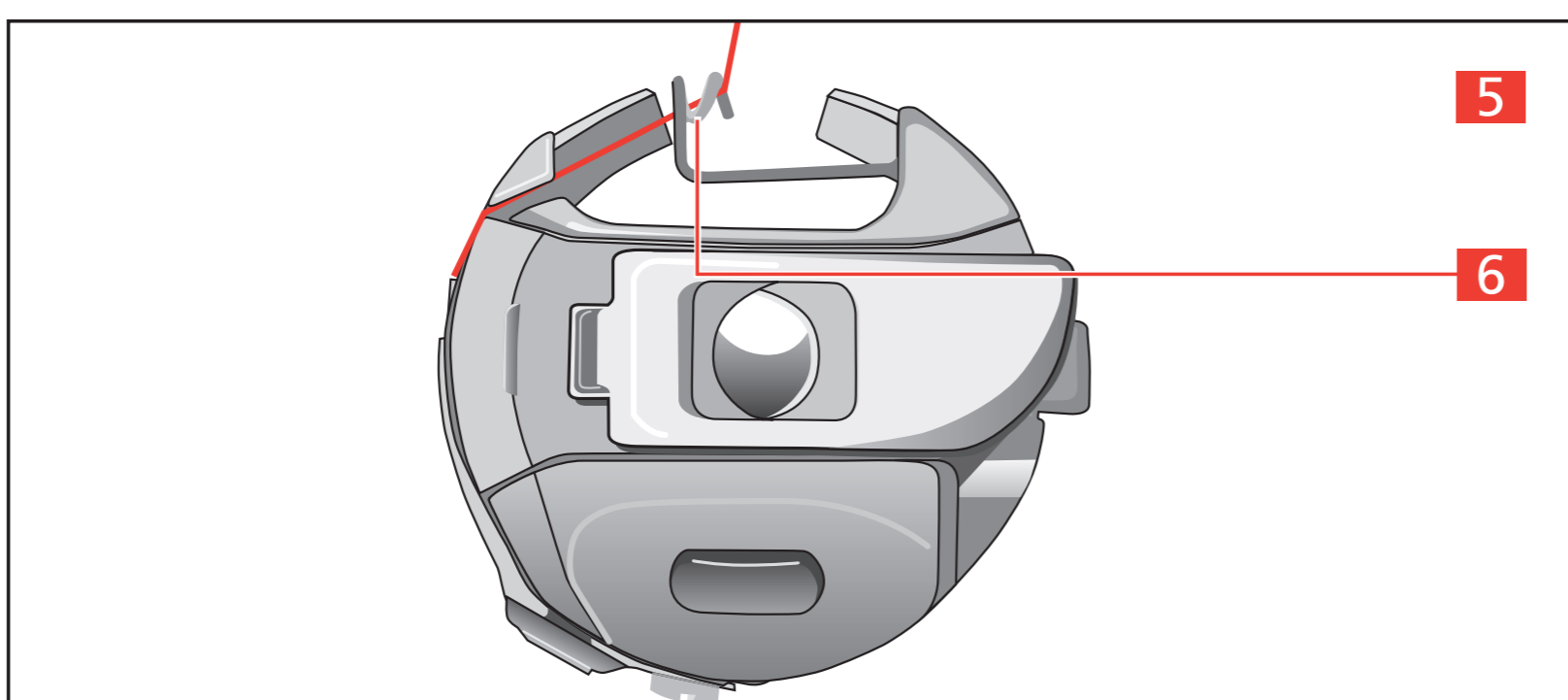


**3** Pull the thread through the slot in the bobbin case.



**4** Pull the thread right through under the spring into the T-shaped opening.

*Check:* The bobbin must turn clockwise when the thread is pulled!



### **5** Embroidery

Use the special embroidery bobbin case (gold latch case) when embroidering. Thread the bobbin thread through the guide spring **6** (pig tail).