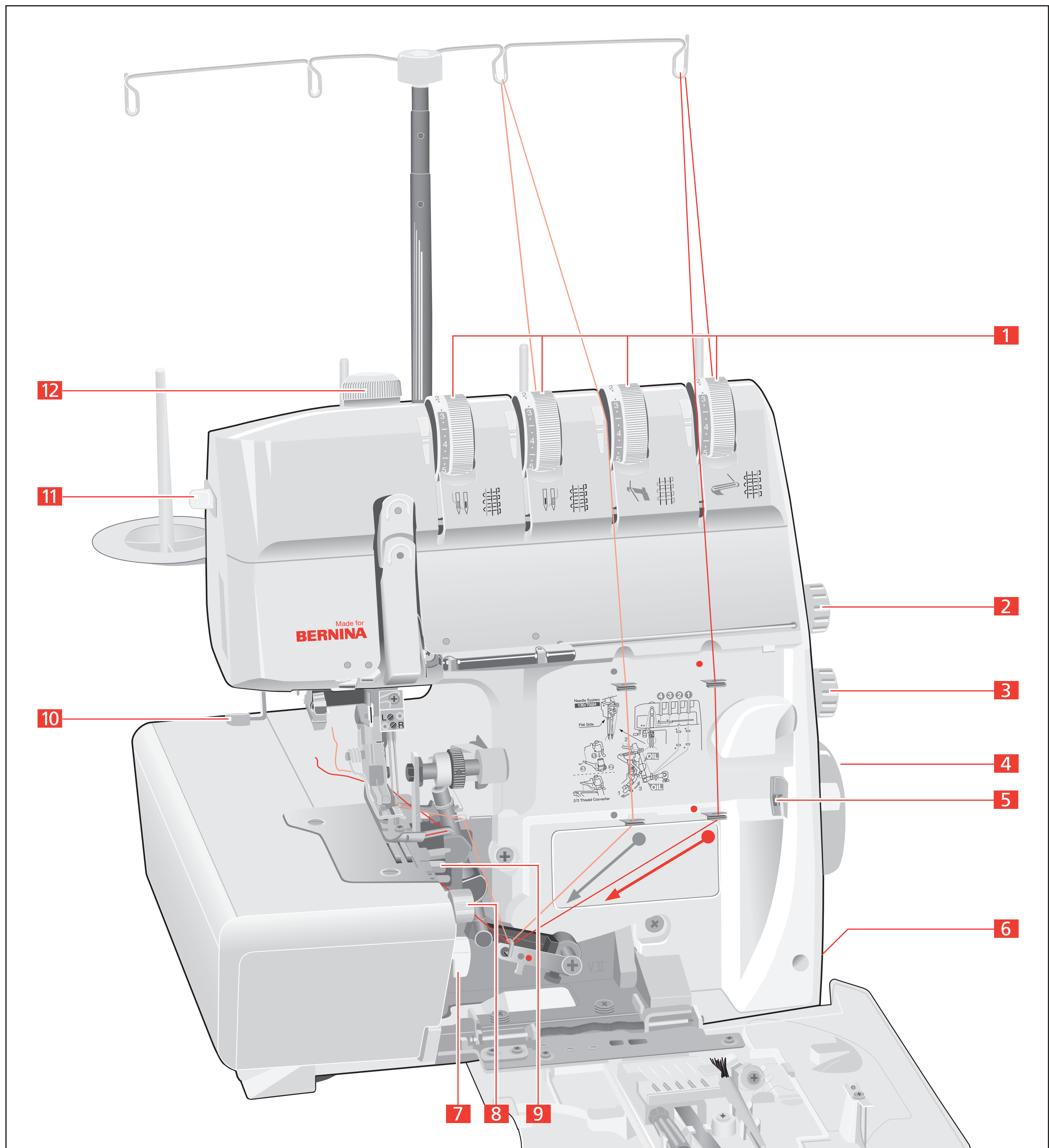


## Overlock 1150 MDA



- |                                     |  |
|-------------------------------------|--|
| <b>1</b> Thread tension dials       | <b>7</b> mtc button (micro thread control)   |
| <b>2</b> Stitch length dial         | <b>8</b> Knife setting                       |
| <b>3</b> Differential feed dial     | <b>9</b> Overlock / roll hem selection lever |
| <b>4</b> Handwheel                  | <b>10</b> Needle threader                    |
| <b>5</b> Handwheel indicator window | <b>11</b> Needle threader slide              |
| <b>6</b> Power switch on/off        | <b>12</b> Presser foot pressure              |