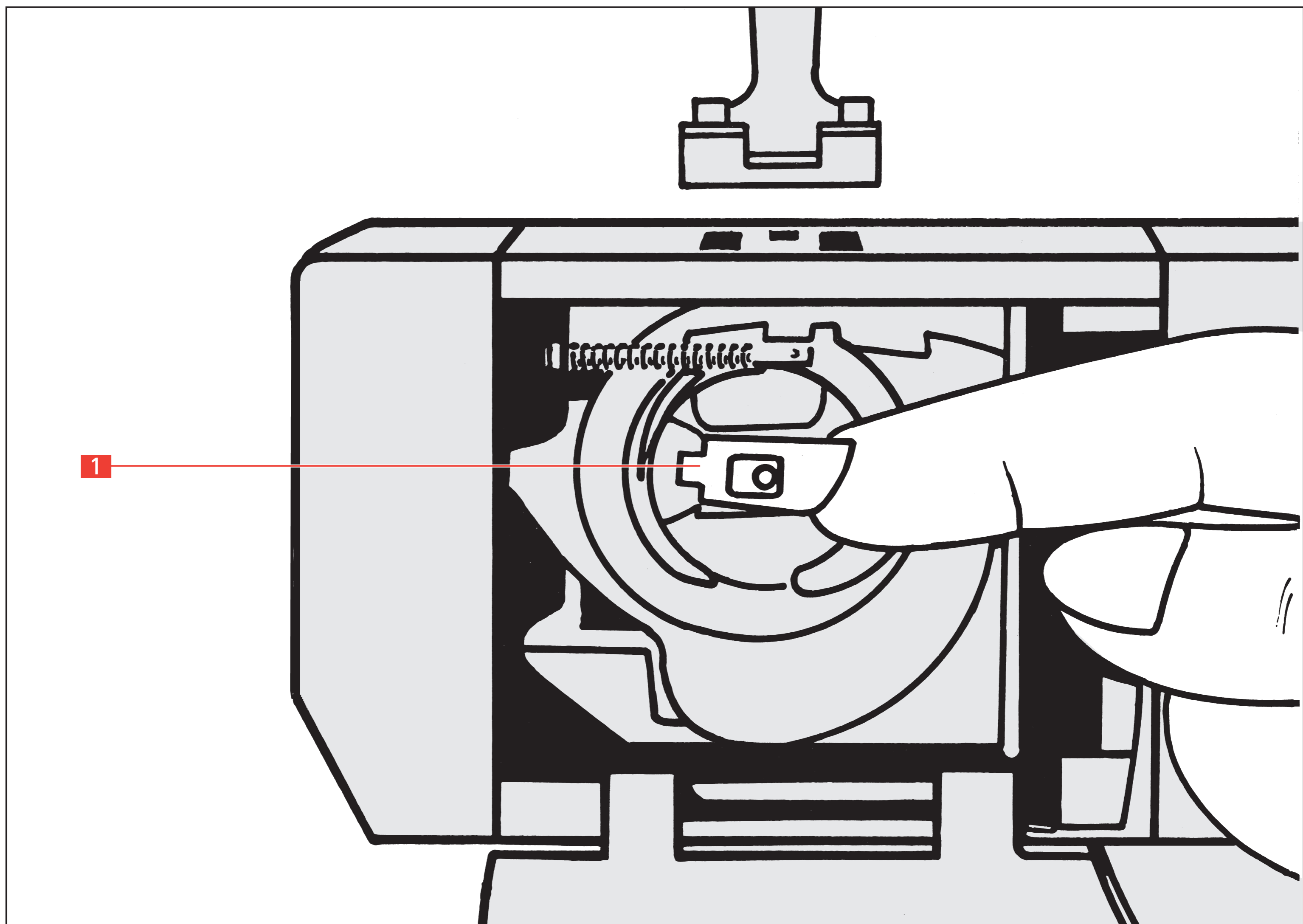


Removing the bobbin case and inserting it when containing the bobbin (Rotary hook system)



Instructions

1. Turn handwheel until the needle is at the top position.
2. To remove: Grasp the bobbin case latch **1** with the thumb and index finger of your right hand and pull.
3. To insert: Hold the bobbin case latch in the same way as you did when you removed it. Hold the case with the opening pointing up.
4. Check: The case mustn't fall out when pulling the thread.